



**QNAP**

# **JBOD Enclosure**

**TL-R1620Sdc**

**User Guide**

# Contents

## 1. Preface

About This Guide.....	2
Audience.....	2
Document Conventions.....	2

## 2. Product Overview

About the QNAP JBOD Enclosure.....	3
Hardware Specifications.....	3
Package Contents.....	5
Components.....	5
Front Panel.....	5
Rear Panel.....	9
Power Supply Units.....	11
Drive Numbering.....	12
Audio Alert.....	12
Safety Information.....	12
Installation Requirements.....	13
Setting Up the JBOD Enclosure.....	14

## 3. Hardware Installation

Removing a Controller.....	15
Installing a Controller.....	16
Drive Installation.....	17
Installing 3.5-inch Hard Drives on 3.5-inch Trays.....	17
Installing 2.5-inch Hard Drives or Solid-State Drives on 3.5-inch Trays.....	19
JBOD Connections.....	21
Connecting the TL-R1620Sdc to the NAS.....	21
Connecting the TL-R1620Sdc to a Server.....	23
Hot-Swapping Redundant Power Supply Units.....	24
Rail Kits.....	25

## 4. Troubleshooting

Forcing Storage Manager or QNAP JBOD Manager to Recognize the JBOD Enclosure.....	26
Hot-Swapping Failed Drives.....	26
Support and Other Resources.....	27

## 5. Glossary

QES.....	28
QNAP JBOD Manager.....	28
Storage Manager.....	28

## 6. Notices

Limited Warranty.....	29
Disclaimer.....	29
GNU Public License.....	29
CE Notice.....	37
FCC Notice.....	37
VCCI Notice.....	37
BSMI Notice.....	38
SJ/T 11364-2006.....	38

# 1. Preface





## About This Guide

This guide provides information about the device and step-by-step instructions on installing the hardware. It also provides instructions on basic operations and troubleshooting information.

## Audience

This document is intended for consumers and storage administrators. This guide assumes that the user has a basic understanding of storage and backup concepts.

## Document Conventions

Symbol	Description
	Notes provide default configuration settings and other supplementary information.
	Important notes provide information on required configuration settings and other critical information.
	Tips provide recommendations or alternative methods of performing tasks or configuring settings.
	Warnings provide information that, when ignored, may result in potential loss, injury, or even death.

## 2. Product Overview

This chapter provides basic information about the QNAP device.

### About the QNAP JBOD Enclosure

QNAP JBOD enclosures are designed to increase the capacity and utility of your NAS or server, providing a wide range of storage applications. You can manage installed drives independently or configure them as software RAID groups using the host device. The TL-R1620Sdc features sixteen 3.5-inch SAS 12 Gbps drive bays with three SFF-8644 ports per controller.

### Hardware Specifications



#### Warning




- If your QNAP product has hardware defects, return the product to QNAP or a QNAP-authorized service center for maintenance or replacement. Any attempt to repair or perform maintenance procedures on the product by you or an unauthorized third party invalidates the warranty.
- QNAP is not responsible for any damage or data loss caused by unauthorized modifications and installation of unsupported third-party applications.
- For details, see the [QNAP Warranty Terms and Conditions](#).



#### Note

Model specifications are subject to change without prior notice. To see the latest specifications, go to <https://www.qnap.com>.

Component	TL-R1620Sdc
Storage	
Drive bays	<ul style="list-style-type: none"> <li>• 16 x 3.5-inch SAS 12 Gbps</li> <li>• 16 x 3.5-inch SAS 6 Gbps</li> </ul>

Component	TL-R1620Sdc
Drive compatibility	3.5-inch bays: <ul style="list-style-type: none"> <li>• SAS drives               <ul style="list-style-type: none"> <li>• 3.5-inch SAS hard disk drives</li> <li>• 2.5-inch SAS hard disk drives</li> <li>• 2.5-inch SAS solid-state drives</li> </ul> </li> <li>• SATA drives               <ul style="list-style-type: none"> <li>• 3.5-inch SATA hard disk drives</li> <li>• 2.5-inch SATA hard disk drives</li> <li>• 2.5-inch SATA solid-state drives</li> </ul> </li> </ul> <div style="border-left: 2px solid #0070C0; padding-left: 10px; margin-top: 10px;">  <b>Note</b>              The 3.5-inch SATA drives require a QDA-SA drive adapter. The 2.5-inch SATA drives require a QDA-SA or QDA-SA2 drive adapter.           </div>
Hot-swapping	Supported
External I/O Ports & Expansion Slots	
SFF ports	3 x SFF-8644 per controller
RJ45	1 per controller <div style="border-left: 2px solid #0070C0; padding-left: 10px; margin-top: 10px;">  <b>Note</b>              This port is only for engineering purposes.           </div>
Interface	
Buttons	<ul style="list-style-type: none"> <li>• Power: 1 per controller</li> <li>• OLED panel power: 1 per controller</li> </ul>
Dimensions	
Form factor	3U Rackmount
Dimensions (H x W x D)	131.3 x 482.2 x 425.3 mm (5.17 x 18.98 x 16.74 in)
Net weight	12.26 kg (27.03 lb)
Others	
Power supply unit	2 x 550W, 100-240V AC, 50/60 Hz
System battery	CR2032 lithium battery (3V, 225 mAh)
Sound level	28.8 db(A) <div style="border-left: 2px solid #0070C0; padding-left: 10px; margin-top: 10px;">  <b>Note</b>              The sound level was tested at a bystander position, which is within one meter of the device. The test device operated at low speed with the maximum number of drives installed.           </div>
Fans	3 x 80 mm, 12V DC fan
Operating temperature	0°C to 40°C (32°F to 104°F)

Component	TL-R1620Sdc
Relative humidity	<ul style="list-style-type: none"> <li>• Non-condensing relative humidity: 5% to 95%</li> <li>• Wet-bulb temperature: 27°C (80.6°F)</li> </ul>



**Tip**

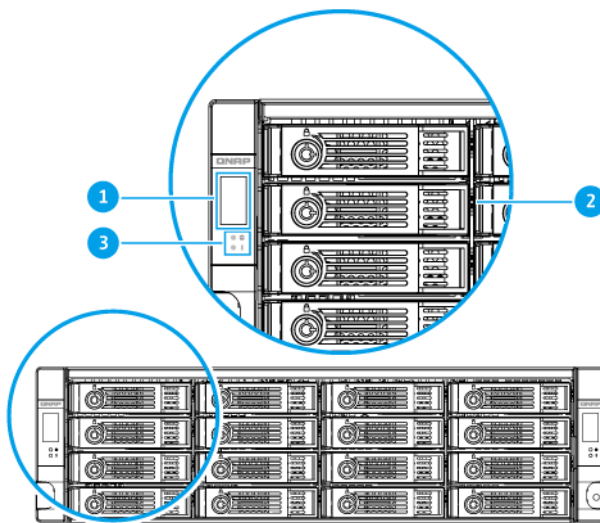
For the list of compatible drive models and expansion cards, go to <https://www.qnap.com/compatibility>.

## Package Contents

Item	Quantity
JBOD enclosure	1
SAS cables	2
Power cords	2
Screws for 3.5-inch drives	64
Screws for 2.5-inch drives	48
Quick Installation Guide (QIG)	1

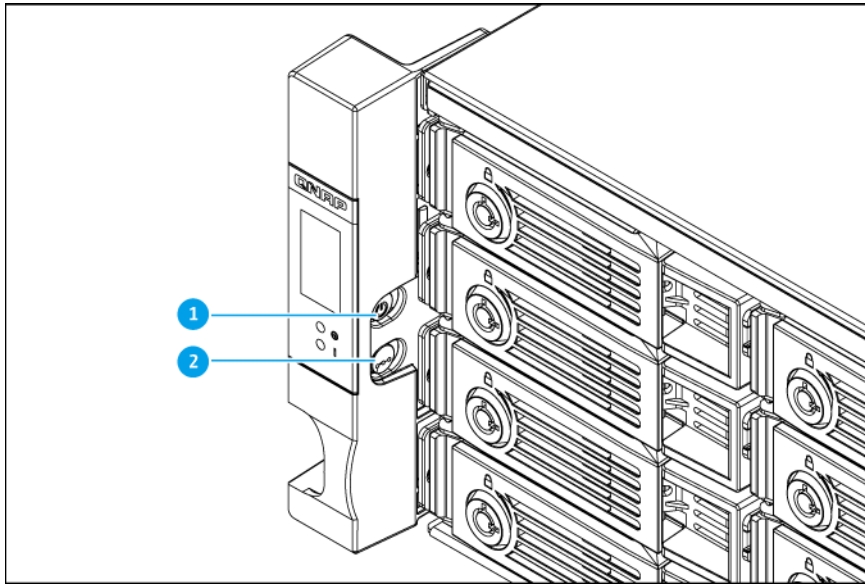
## Components

### Front Panel



No.	Component	No.	Component
1	OLED panel	3	Front panel LEDs
2	Drive LED	-	-


## Front Panel Buttons



### Note

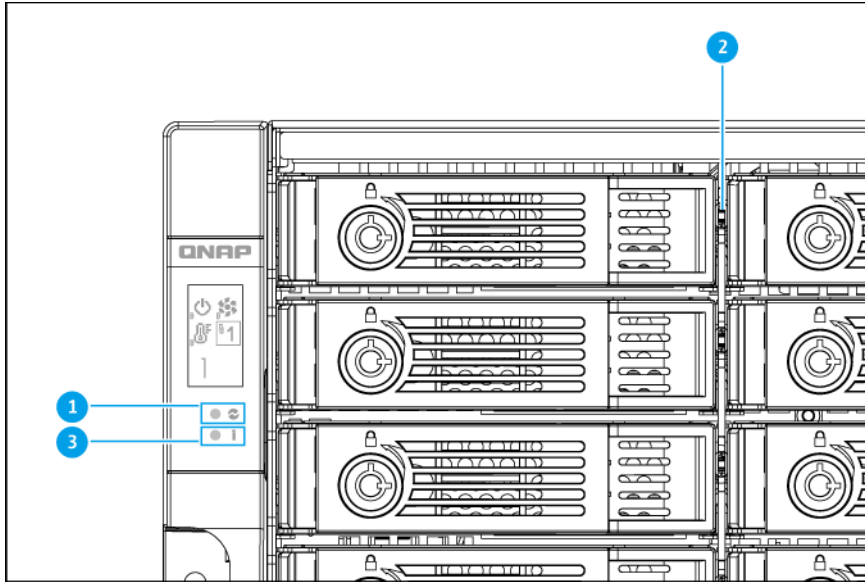
Each controller has its own power and OLED buttons.

No.	Component	No.	Component
1	Power button	2	OLED panel power button

Operation	User Action	Result
Power on the controller	Press the power button	The controller powers on. <div style="margin-top: 10px;">  <b>Tip</b> <ul style="list-style-type: none"> <li>QNAP recommends powering on the controller from the rear panel. For details, see <a href="#">Rear Panel</a> and <a href="#">Storage Controller Power Button</a>.</li> <li>System startup takes 10 to 15 minutes, depending on the number of installed drives and connected devices. Check the rear panel LEDs to determine the startup status. For details, see <a href="#">Rear Panel LEDs</a>.</li> </ul> </div>
Power on the OLED display	Press the OLED button.	The OLED display powers on.
Power off the OLED display	Press the OLED button.	The OLED display powers off.

## Front Panel and Drive LEDs

The front panel LEDs indicate system status and related information when the device is powered on. The following LED information applies only when the drive is correctly installed and when the device is connected to the network.



No.	Component	No.	Component
1	System power LED	3	System status LED
2	Drive LED	-	-

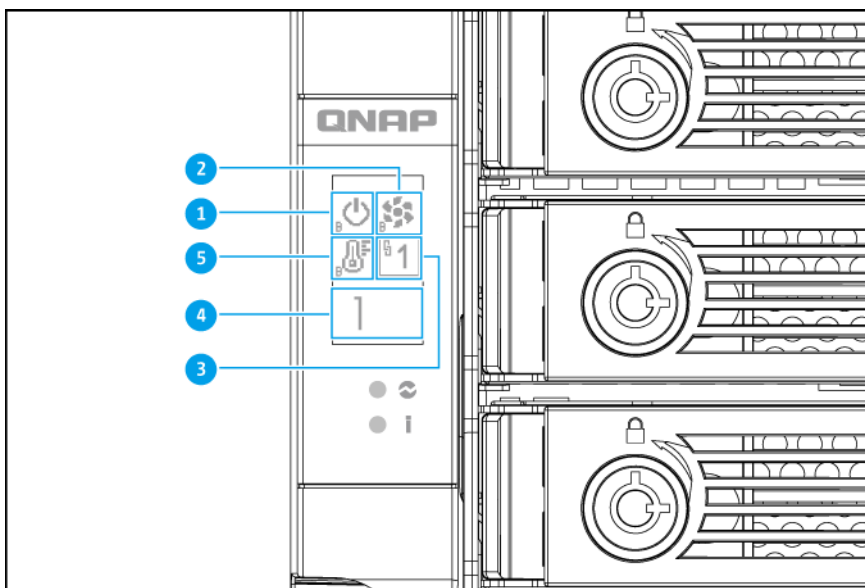
LED	Status	Description
System power	Blue	The controller is on.
	Off	The controller is off.
System Status	Green	The device is ready.
	Red	<ul style="list-style-type: none"> <li>The power supply is not functioning.</li> <li>The system fan is not functioning.</li> <li>The system temperature is too high.</li> <li>The disk temperature is too high.</li> <li>The power supply unit is unplugged.</li> </ul>
	Off	<ul style="list-style-type: none"> <li>All drives are in standby mode.</li> <li>The device is powered off.</li> </ul>





LED	Status	Description
Drive	Green	<ul style="list-style-type: none"> <li>The JBOD enclosure is powered on.</li> <li>The drive can be accessed.</li> </ul>
	Flashes green	The drive is being accessed.
	Red	A drive read/write error occurred.
	Flashes red 5 times per second	The drive is being located in the operating system.
	Off	No drive was detected.




### Front Panel OLED Display

The OLED display shows the status of the controllers and main components.

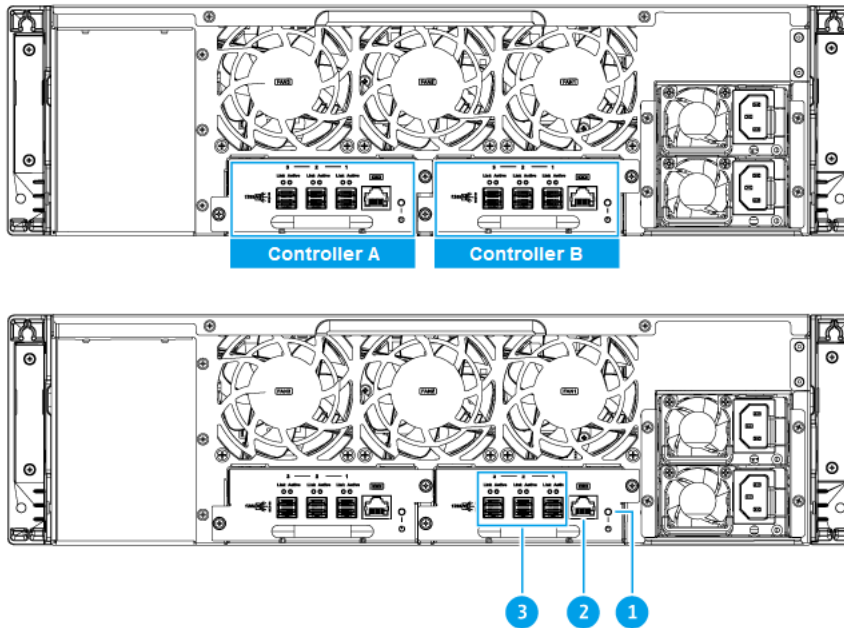


No.	Component	No.	Component
1	Controller power status	4	Enclosure ID
2	Fan status	5	Temperature status
3	SAS connector status	-	-


Icon name	Icon	Description
Controller power status		<ul style="list-style-type: none"> <li>On: The controller is powered on.</li> <li>Off: The controller is off.</li> </ul>
Controller fan status		<ul style="list-style-type: none"> <li>On: The fan modules of the controller are operating normally.</li> <li>Flashing: The fan modules of the controller are operating incorrectly or are not installed.</li> <li>Off: The controller is off.</li> </ul>

Icon name	Icon	Description
Controller temperature status		<ul style="list-style-type: none"> <li>On: The temperature of the controller is normal.</li> <li>Flashing: The temperature of the controller is too high or too low.</li> <li>Off: The controller is off.</li> </ul>
Controller SAS connector status		<ul style="list-style-type: none"> <li>On: The SAS connector status displays the linked SAS wide port numbers.</li> <li>Flashing: An error has occurred in any of the physical layers. Below are a list of the possible errors.                             <ul style="list-style-type: none"> <li>One of the physical layers is disconnected or linked with a low speed (6 Gbps or 3 Gbps).</li> <li>There are other link errors.</li> </ul> </li> <li>Off: The controller is off.</li> </ul>
Controller enclosure ID		<ul style="list-style-type: none"> <li>The enclosure ID is configured by the host.</li> <li>The enclosure ID represents the global controller ID.</li> </ul>

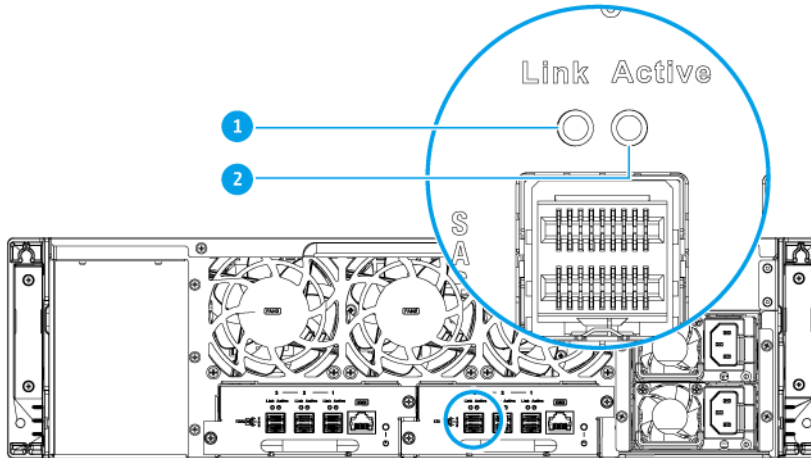
### Rear Panel



No.	Component	No.	Component
1	Controller power button	3	SFF-8644 ports

No.	Component	No.	Component
2	RJ45 console port	-	-
	 <b>Note</b> This port is only for engineering purposes.		


**Rear Panel LEDs**



No.	Component	No.	Component
1	Mini-SAS link LED	2	Mini-SAS activity LED

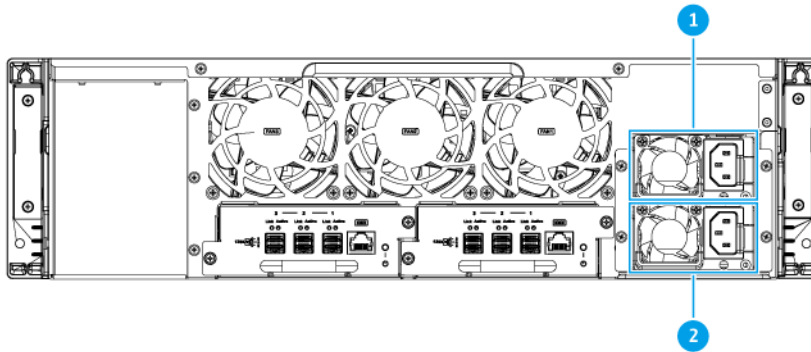
LED	Status	Description
Mini-SAS Link Connector	Green	The device is connected to the host.
	Orange	The device is not connected to the host.
Mini-SAS Activity Connector	Blue	The device is active.
	Off	The device is inactive.

**Storage Controller Power Button**

Operation	User Action	Result
Power on	Press the button once.	<ul style="list-style-type: none"> <li>The OLED panel turns on.</li> <li>The controller powers on.</li> </ul>  <b>Note</b> Depending on the button on the controller you press, controller A or B powers on.

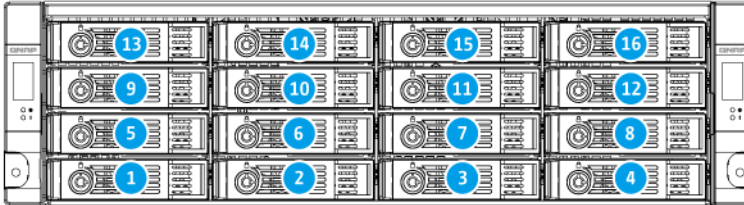
Operation	User Action	Result
Power off	Press and hold for 4 seconds.	<ul style="list-style-type: none"> <li>The OLED panel turns off.</li> <li>The controller powers off.</li> </ul> <p><b>Note</b> Depending on the button on the controller you press, controller A or B powers off.</p>
Force power off	Press and hold the button for 10 seconds.	<ul style="list-style-type: none"> <li>The OLED panel turns off.</li> <li>The controller powers off.</li> </ul> <p><b>Note</b> Depending on the button on the controller you press, controller A or B powers off.</p> <p><b>Warning</b> Use this method only when the storage controller is unresponsive. This action may result in data loss.</p>

## Power Supply Units



No.	Component	No.	Component
1	Power supply unit 1	2	Power supply unit 2

## Drive Numbering



## Audio Alert

Duration	Frequency	Description
Long beep	3 (every 5 minutes)	<ul style="list-style-type: none"> <li>The system fan is not installed.</li> <li>The system fan is not functioning.</li> <li>The system temperature is over the threshold.</li> </ul> <p><b>Note</b> The default temperature warning threshold is 55°C. You can set the threshold to a temperature between 55°C and 69°C using QNAP JBOD Manager.</p>
	1 (every second)	The device is being located by QES or QNAP JBOD Manager.
Short beep	1	<ul style="list-style-type: none"> <li>A cable connection between the device and the host has been established.</li> <li>A cable connection between the device and the host has been removed.</li> </ul>

## Safety Information

The following instructions help ensure personal safety and environmental safety. Read these instructions carefully before performing any operations.

### General Instructions

- The device should be stored in a secure location with restricted access, controlled through the use of a tool, lock and key, or any means of security.

- Only qualified, skilled, and authorized persons with knowledge of all restrictions, safety precautions, and installation and maintenance procedures should have physical access to the device.
- To avoid potential injury or damage to components, ensure that the drives and other internal system components have cooled before touching them.
- Observe electrostatic discharge (ESD) procedures to avoid potential injury or damage to components.

**Power**

- To reduce the risk of fire or electric shock, ensure that you only connect the power cord to a properly grounded electrical outlet.

•



Devices with redundant power supply may have one or more power supply unit (PSU) cords. To avoid serious injuries, a trained service technician must disconnect all PSU cords from the device before installing or replacing system components.

**System Battery**

- To avoid potential battery explosion, causing injury or damage to components, ensure that you replace the existing battery with a battery of the same type.
- Dispose of used batteries properly according to local regulations or the instructions of the battery manufacturer.

**Moving Parts**

•



**Moving fan blades:** Keep your body parts away from moving fan blades while the device is connected to a power source.


•



**Moving components:** Keep your body parts away from other moving components.

**Installation Requirements**

Category	Item
Environment	<ul style="list-style-type: none"> <li>• Room temperature: 0°C to 40°C (32°F to 104°F)</li> <li>• Non-condensing relative humidity: 5% to 95%</li> <li>• Wet-bulb temperature: 27°C (80.6°F)</li> <li>• Flat, anti-static surface without exposure to direct sunlight, liquids, or chemicals</li> </ul>

Category	Item
Hardware and peripherals	<ul style="list-style-type: none"> <li>• NAS or server</li> <li>• Storage drives</li> </ul> <p> <b>Tip</b> For the list of compatible drive models, go to <a href="https://www.qnap.com/compatibility">https://www.qnap.com/compatibility</a>.</p> <ul style="list-style-type: none"> <li>• One or more SFF-8644 or SFF-8644-to-SFF-8088 connector cables</li> <li>• Host bus adapter</li> </ul>
Tools	<ul style="list-style-type: none"> <li>• Phillips #1 or #2 screwdriver</li> <li>• Anti-static wrist strap</li> </ul>

## Setting Up the JBOD Enclosure



### Note

Read all safety requirements and information carefully before setting up the JBOD or installing JBOD enclosure components.

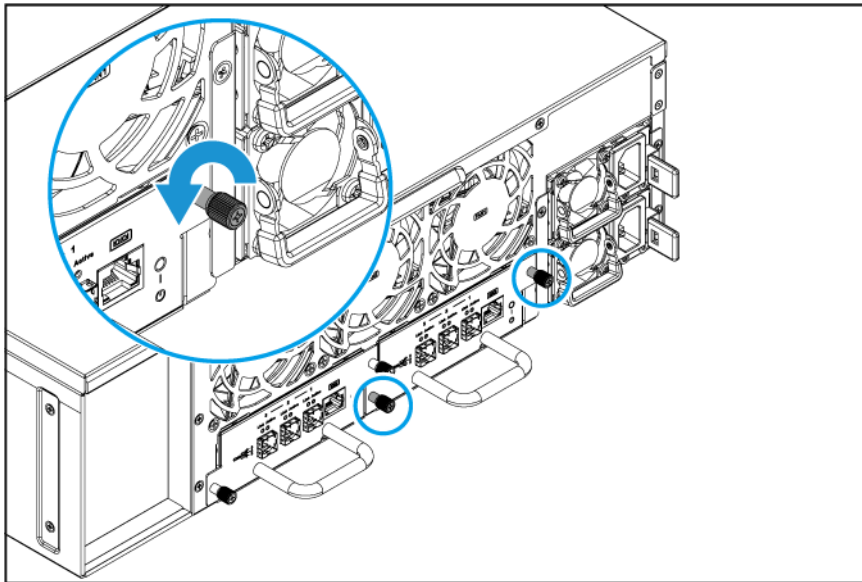
1. Place the JBOD enclosure in an environment that meets the requirements.  
For details, see [Installation Requirements](#).
2. Install the JBOD enclosure on a rack.  
For details, see [Rail Kits](#).
3. Install the drives.  
For details, see the following topics:
  - [Installing 3.5-inch Hard Drives on 3.5-inch Trays](#)
  - [Installing 2.5-inch Hard Drives or Solid-State Drives on 3.5-inch Trays](#)
4. Connect the power cord and all applicable cables.
5. Connect the JBOD enclosure to the NAS or server.  
For details, see the following topics:
  - [Connecting the TL-R1620Sdc to the NAS](#)
  - [Connecting the TL-R1620Sdc to a Server](#)
6. Power on the JBOD enclosure.

### 3. Hardware Installation

This section provides information on installing controllers, installing drives, connecting the JBOD enclosure to a NAS or a server, hot-swapping redundant power supply units, and rail kits.

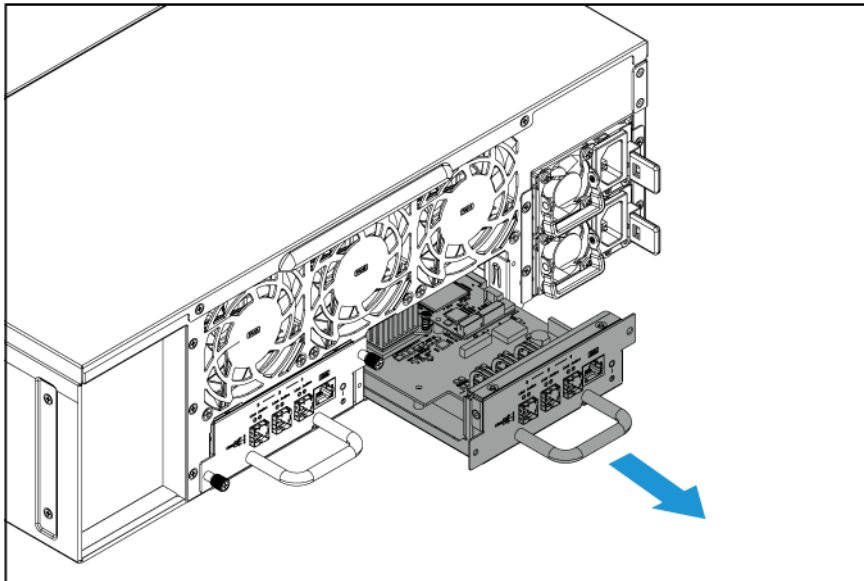
#### Removing a Controller

1. Power off the JBOD enclosure.
2. Disconnect the power cord from the electrical outlet.
3. Disconnect all cables and external attachments.
4. Remove the controller.
  - a. Loosen the screws



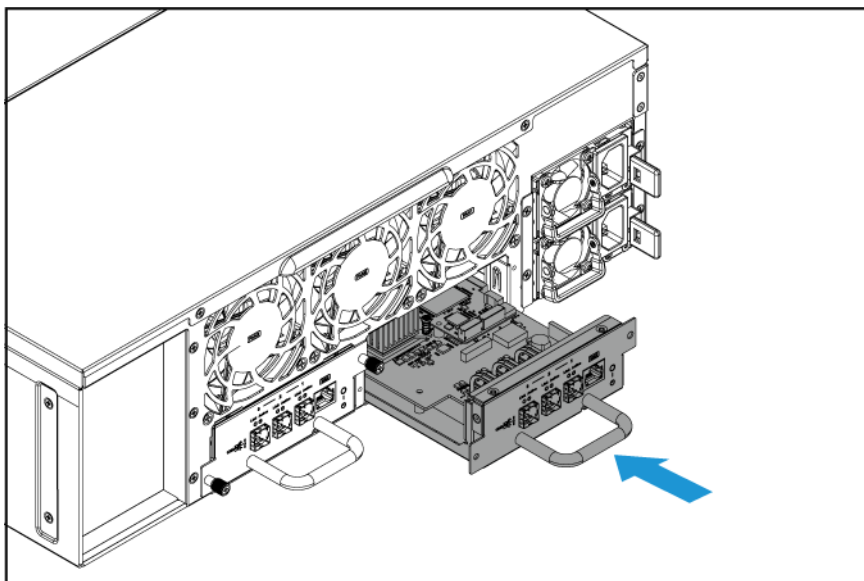
- b. Pull the handle to pull out the controller.



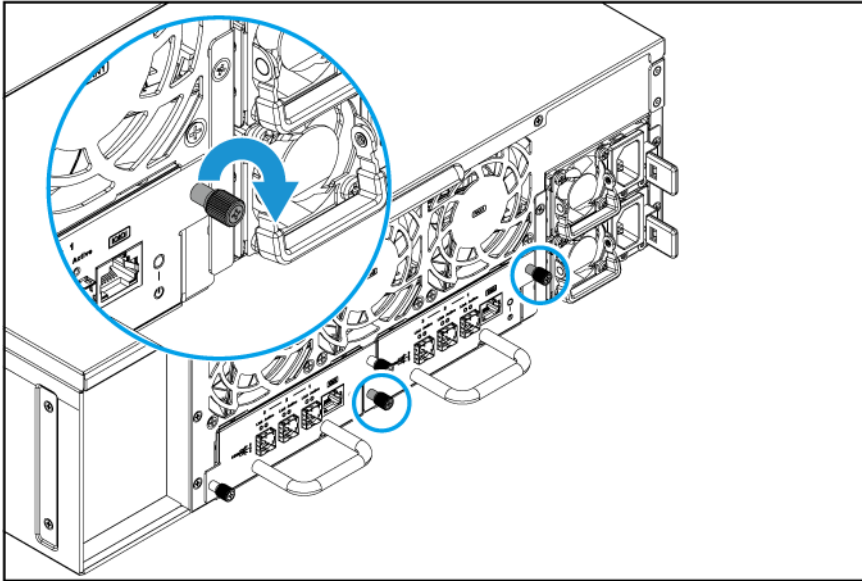


## Installing a Controller

1. Load the controller into the JBOD device.
  - a. Insert the controller into the chassis.



2. Tighten the screws.



3. Connect all cables and external attachments.
4. Power on the device.

## Drive Installation

The TL-R1620Sdc is compatible with 3.5-inch hard drives, 2.5-inch hard drives, and 2.5-inch solid-state drives.

### Installing 3.5-inch Hard Drives on 3.5-inch Trays



#### Warning

- Installing a drive deletes all data on the drive.
- Observe electrostatic discharge (ESD) procedures to avoid damage to components.

•



**Moving fan blades:** Keep your hands and other body parts away from moving fan blades.

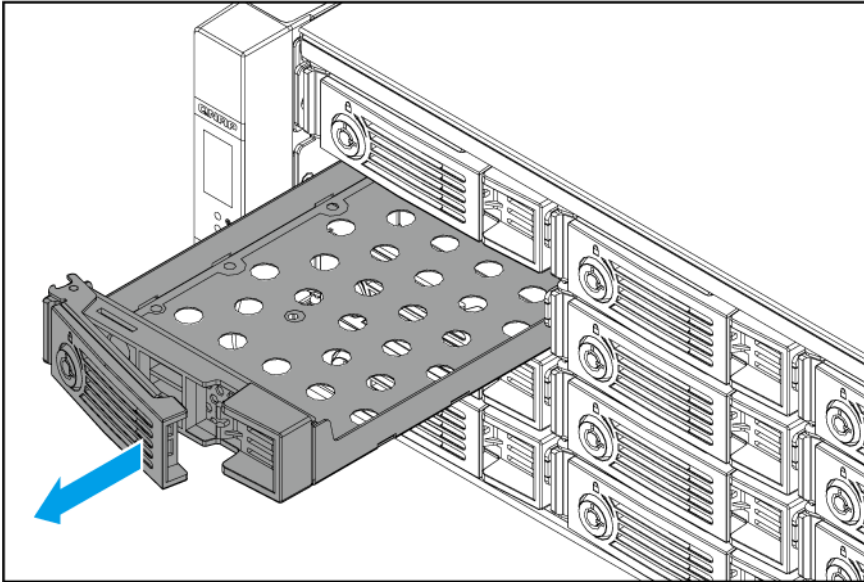
•



**Other moving components:** Keep your hands and other body parts away from other moving components.

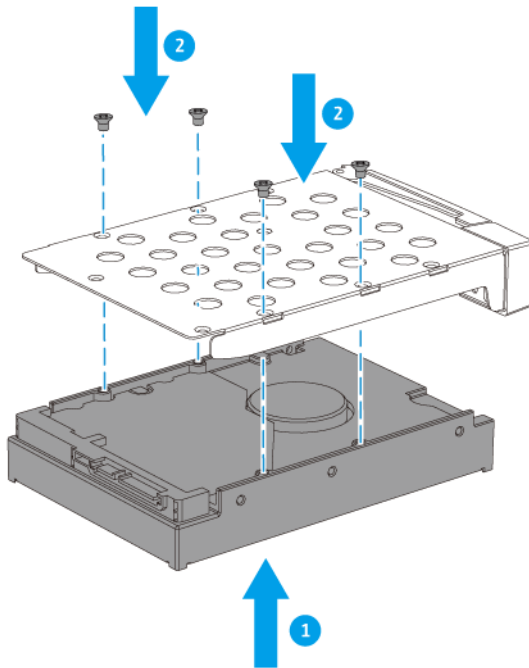
1. Power off the JBOD enclosure.
2. Remove the drive tray.

- a. Pull the handle to release the tray.
- b. Pull the tray out.



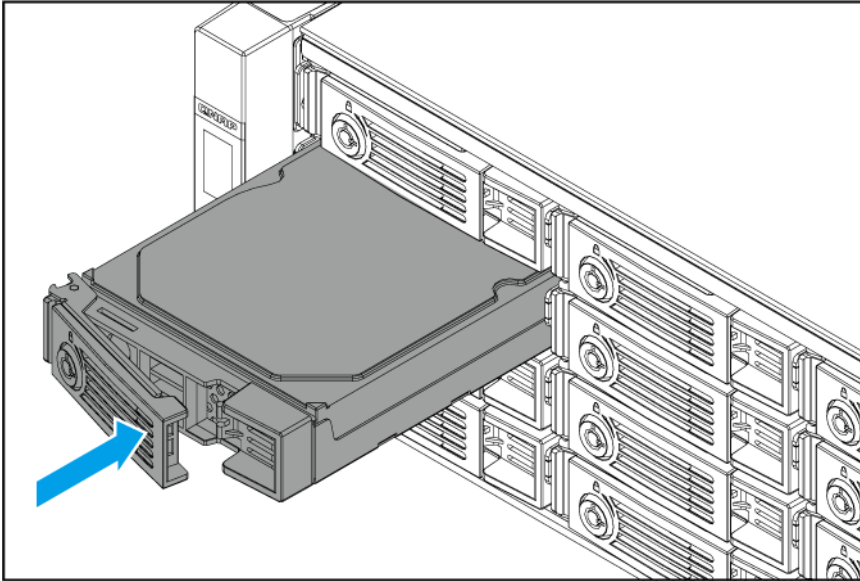
**3. Install a drive on the tray.**

- a. Place the drive on the tray so that the holes on the bottom of the drive are aligned with the holes on the bottom of the tray.
- b. Attach the screws.



**4. Load the tray into the bay.**

- a. Insert the tray into the bay.
- b. Push the handle.



5. Power on the JBOD enclosure.



**Note**

The JBOD enclosure may take up to 30 seconds to detect the new device.

## Installing 2.5-inch Hard Drives or Solid-State Drives on 3.5-inch Trays



**Warning**

- Installing a drive deletes all data on the drive.
- Observe electrostatic discharge (ESD) procedures to avoid damage to components.

•



**Moving fan blades:** Keep your hands and other body parts away from moving fan blades.

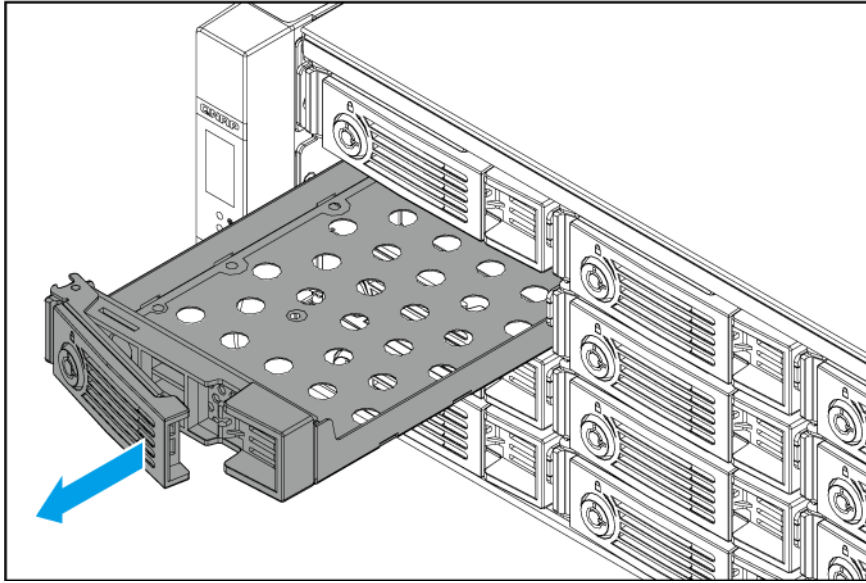
•



**Other moving components:** Keep your hands and other body parts away from other moving components.

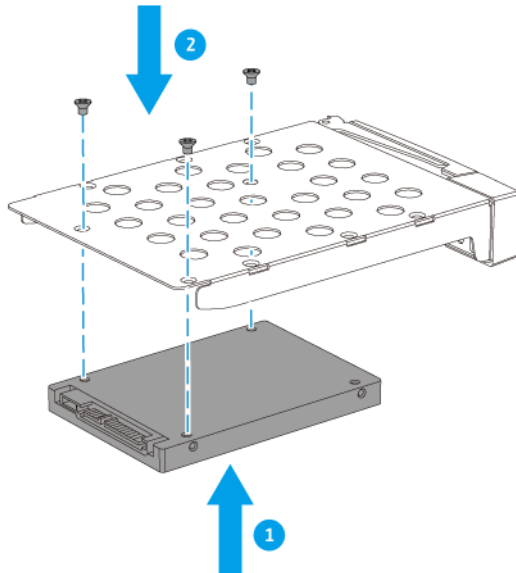
1. Power off the JBOD enclosure.
2. Remove the drive tray.
  - a. Pull the handle to release the tray.

- b. Pull the tray out.



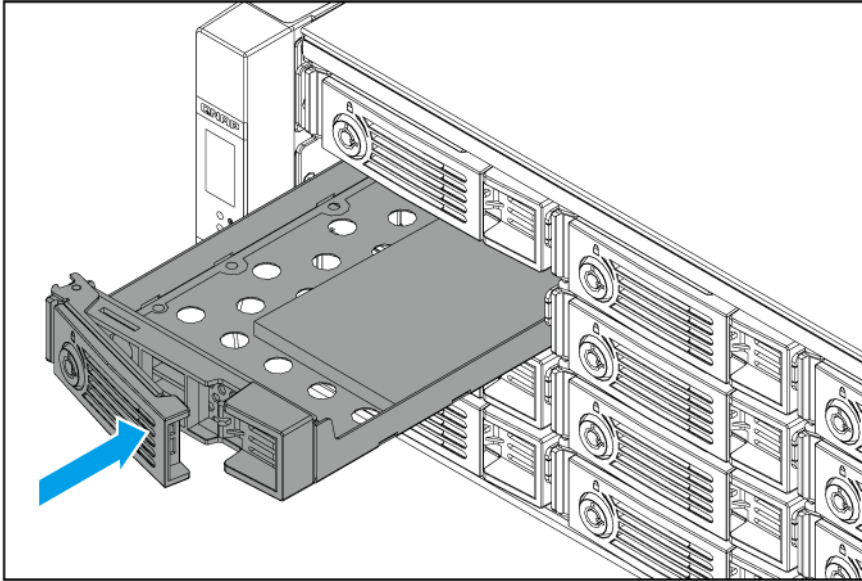
- 3. Install a drive on the tray.

- a. Place the drive on the tray so that the holes on the bottom of the drive are aligned with the holes on the bottom of the tray.
- b. Attach the screws.



- 4. Load the tray into the bay.

- a. Insert the tray into the bay.
- b. Push the handle.



5. Power on the JBOD enclosure.



**Note**

The JBOD enclosure may take up to 30 seconds to detect the new device.

## JBOD Connections

This chapter provides information on the multiple connections for the JBOD enclosures.

### Connecting the TL-R1620Sdc to the NAS

The NAS must run QES 2.1.1 (or later versions), and requires Mini-SAS HD ports (SAS 12Gb/s SFF-8644), Mini-SAS ports (SAS 6Gb/s SFF-8088), or installing SAS expansion cards with the mentioned port types (SAS-12G2E, QXP-820S-B3408, or QXP-1620S-B3616W).

For details on the maximum number of expansion units supported by your NAS, go to <https://www.qnap.com/go/compatibility-expansion>.



**Important**

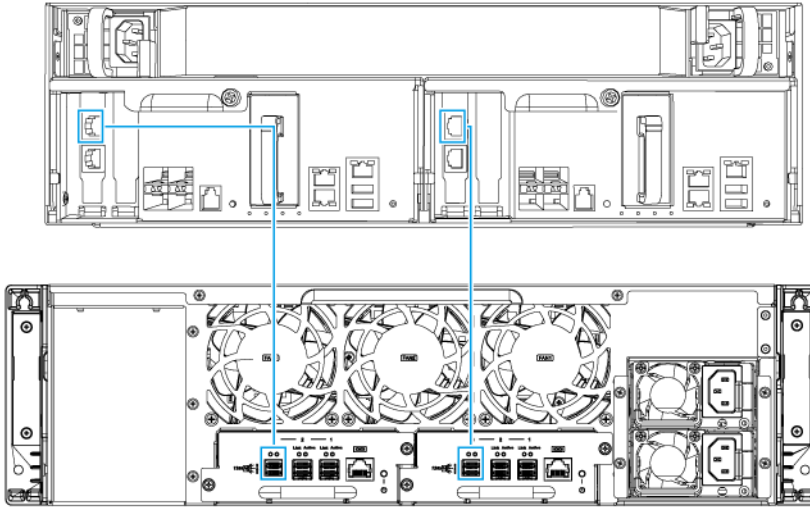
For your safety, ensure both the NAS and the JBOD enclosure are powered off before you start.

1. Connect the JBOD enclosure to the NAS.
  - a. Connect one or more SFF-8644 connector cables to the SFF-8644 ports on the JBOD enclosure.
  - b. Connect one or more SFF-8644 or SFF-8644-to-SFF-8088 connector cables to the SFF-8644 or SFF-8088 ports on the NAS or the host bus adapter installed in the NAS.

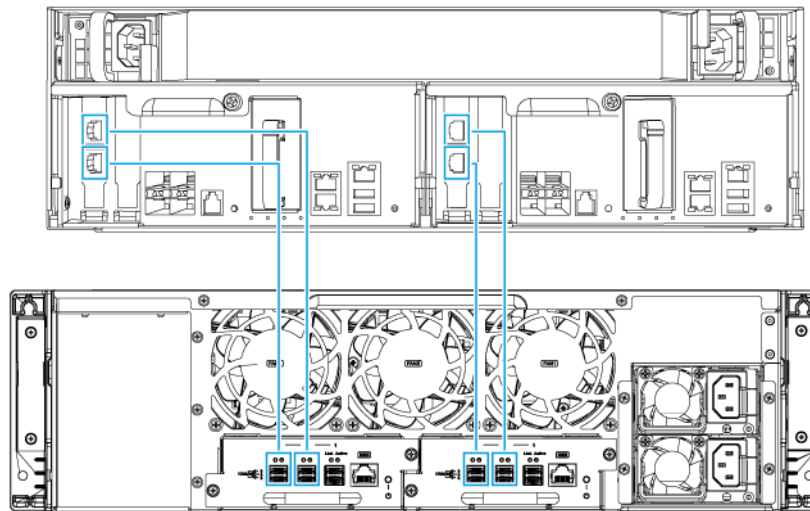


**Note**

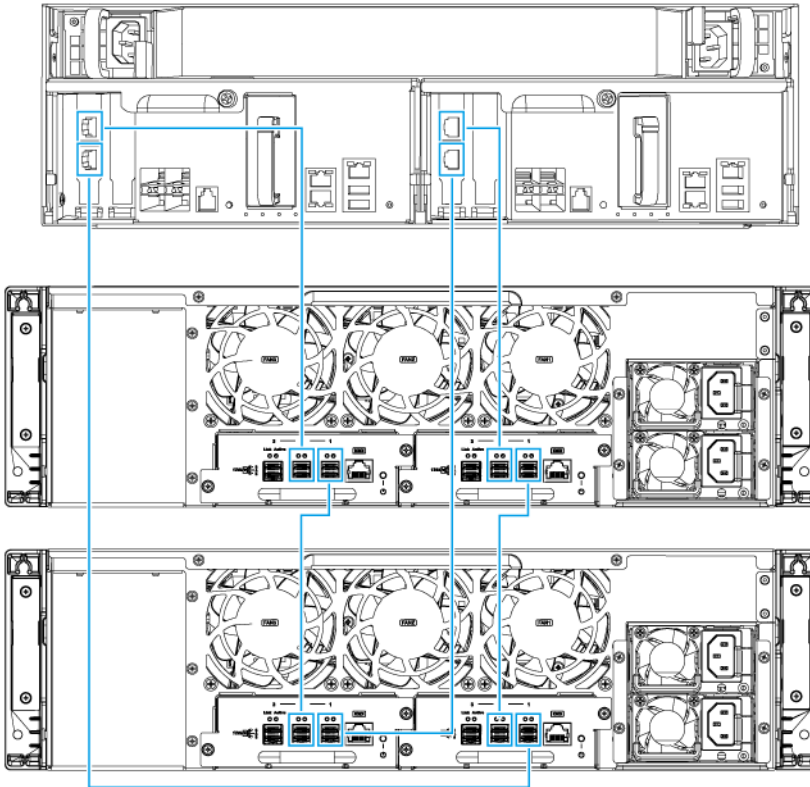
Refer to the hardware installation section of the NAS user guide for instructions on installing expansion cards.



**Single-path configuration**



**Single-path link aggregation configuration**



### Dual-path configuration

2. Power on the JBOD enclosures.
3. Power on the NAS.
4. Verify that the JBOD enclosures are recognized by the NAS.
  - a. Log on to QES as administrator.
  - b. Go to **Main Menu > Storage Manager > Overview > System**.
  - c. Verify that the expansion units are listed.

### Connecting the TL-R1620Sdc to a Server



#### Important

For your safety, ensure both the server and the JBOD enclosure are powered off before you start.

1. Connect the JBOD enclosure to a server.
  - a. Connect one or more SFF-8644 connector cables to the SFF-8644 ports on the JBOD enclosure.
  - b. Connect one or more SFF-8644 connector cables to the SFF-8644 ports on the server.



#### Note



For illustrations of valid connection configurations, see [Connecting the TL-R1620Sdc to the NAS](#).

- c. Connect additional JBOD enclosures to the server.
2. Power on the JBOD enclosures.
3. Power on the server.
4. Verify that the JBOD enclosure is recognized by the server.
  - a. Go to your server's disk management utility or open QNAP External RAID Manager in Windows or Linux.



#### Note

To download QNAP JBOD Manager, go to <https://download.qnap.com>.

- b. Verify that the JBOD enclosure is listed.

## Hot-Swapping Redundant Power Supply Units

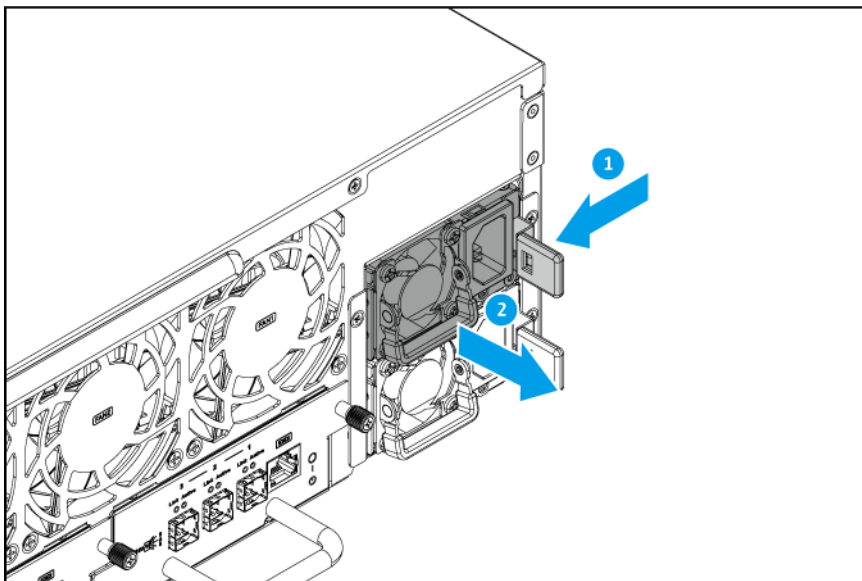


### Warning

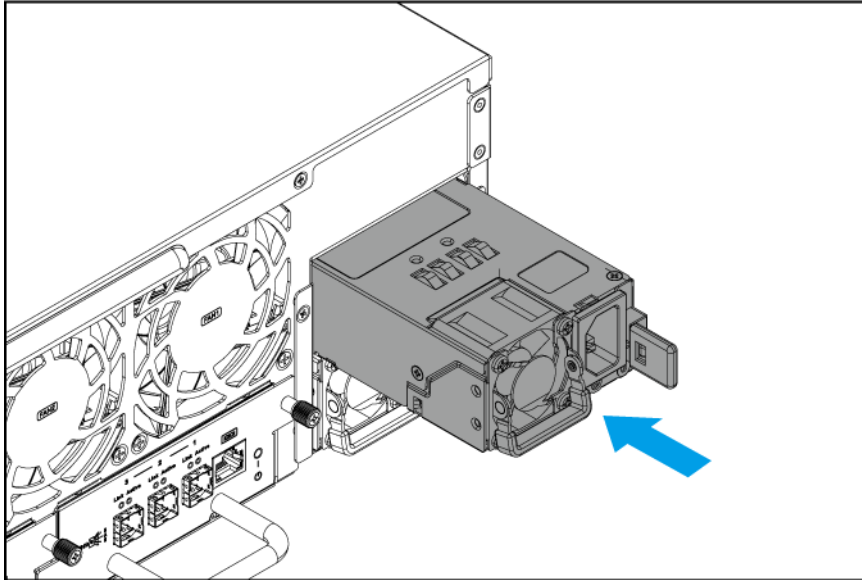


The NAS may have one or more power supply unit (PSU) cords. To avoid serious injuries, a trained service technician must disconnect all PSU cords before installing or replacing system components.

1. Power off the JBOD device.
2. Disconnect the power cord from the electrical outlet and the power supply unit (PSU) that you are replacing.
3. Firmly press the latch toward the handle and then pull the PSU out.



4. Insert the new PSU.



5. Connect the power cord to the PSU and the electrical outlet.
6. Power on the JBOD.

## Rail Kits

Rail kits are not included with the NAS and must be purchased separately. For details, contact an authorized reseller or go to <http://shop.qnap.com>.

Model	Compatible Rail Kit
TL-R1620Sdc	RAIL-B02

You can find installation information in the rail kit package.

## 4. Troubleshooting

This chapter describes basic troubleshooting information.

### Forcing Storage Manager or QNAP JBOD Manager to Recognize the JBOD Enclosure

If Storage Manager or QNAP JBOD Manager is unable to locate the JBOD enclosure during operation, the drives or data may be faulty.

1. Power off the JBOD enclosure.
2. Remove all drives.
3. Power on the JBOD enclosure.
4. Locate the JBOD enclosure using Storage Manager or QNAP JBOD Manager.
5. Reinsert the drives.
6. Continue with operation.

### Hot-Swapping Failed Drives

When connected to a QES NAS, the JBOD enclosure supports hot-swapping of drives in the following situations:

RAID Type	Number of Disks	Situation
RAID 1	2	One member drive fails.
RAID 5	3 to 16	One member drive fails.
RAID 6	5 to 16	One or two member drives fail.
RAID 10	4 to 16 (Creating) 2 to 16 (Expanding)	One or two member drives in two different pairs fail.
RAID 50	3 to 16	One disk per subgroup fails.
RAID 60	5 to 16	Two disks per subgroup fail.
Triple Mirror	Multiple of 3. (For example, 3, 6, 9, 12 disks and so forth.)	One or two member drives fail.
RAID-TP	8 to 16	One, two, or three member drives fail.



#### Note

QES only supports up to 16 member drives per RAID group.

1. Log on to QES.
2. Go to **Main Menu > Storage Manager > Storage > Disks** .
3. Locate the failed drive.
4. Prepare a new hard drive with a capacity that is the same as or larger than the failed hard drive.
5. Remove the failed drive from the device.
6. Wait for 20 seconds or until the device beeps twice.

7. Remove the failed drive from the drive tray.
8. Insert the new drive into the drive tray.
9. Install the new drive.  
The JBOD enclosure beeps twice.
10. Wait for 30 seconds or until the JBOD enclosure beeps twice.
11. Go to **Main Menu > Storage Manager > Storage Space** .
12. Locate the new drive and verify its status.

## Support and Other Resources

QNAP provides the following resources:

Resource	URL
Documentation	<a href="https://download.qnap.com">https://download.qnap.com</a>
Compatibility List	<a href="https://www.qnap.com/compatibility">https://www.qnap.com/compatibility</a>
NAS Migration Compatibility	<a href="https://www.qnap.com/en/nas-migration">https://www.qnap.com/en/nas-migration</a>
Expansion Unit Compatibility	<a href="http://www.qnap.com/go/compatibility-expansion">http://www.qnap.com/go/compatibility-expansion</a>
Service Portal	<a href="https://service.qnap.com">https://service.qnap.com</a>
Product Support Status	<a href="https://www.qnap.com/en/product/eol.php">https://www.qnap.com/en/product/eol.php</a>
Downloads	<a href="https://download.qnap.com">https://download.qnap.com</a>
Community Forum	<a href="https://forum.qnap.com">https://forum.qnap.com</a>
QNAP Accessories Store	<a href="https://shop.qnap.com">https://shop.qnap.com</a>

## 5. Glossary

### **QES**

QNAP NAS operating system

### **QNAP JBOD Manager**

Software utility for Windows, Linux, and macOS that allows you to view and configure QNAP JBOD enclosures

### **Storage Manager**

QES utility that allows you to view and configure QNAP external storage devices connected to a QNAP NAS

## 6. Notices

This chapter provides information about warranty, disclaimers, licensing, and federal regulations.

### Limited Warranty

QNAP offers limited warranty service on our products. Your QNAP-branded hardware product is warranted against defects in materials and workmanship for a period of one (1) year or more from the date printed on the invoice. ("Warranty Period"). Please review your statutory rights at [www.qnap.com/warranty](http://www.qnap.com/warranty), which may be amended from time to time by QNAP in its discretion.

### Disclaimer

Information in this document is provided in connection with products of QNAP Systems, Inc. (the "QNAP"). No license, express or implied, by estoppels or otherwise, to any intellectual property rights is granted by this document. Except as provided in QNAP's terms and conditions of sale for such products, QNAP assumes no liability whatsoever, and QNAP disclaims any express or implied warranty, relating to sale and/or use of QNAP products including liability or warranties relating to fitness for a particular purpose, merchantability, or infringement of any patent, copyright or other intellectual property right.

QNAP products are not intended for use in medical, life saving, life sustaining, critical control or safety systems, or in nuclear facility applications.

In no event shall QNAP's liability exceed the price paid for the product from direct, indirect, special, incidental, or consequential damages resulting from the use of the product, its accompanying software, or its documentation. QNAP makes no warranty or representation, expressed, implied, or statutory, with respect to its products or the contents or use of this documentation and all accompanying software, and specifically disclaims its quality, performance, merchantability, or fitness for any particular purpose. QNAP reserves the right to revise or update its products, software, or documentation without obligation to notify any individual or entity.

Back up the system periodically to avoid any potential data loss is recommended. QNAP disclaims any responsibility of all sorts of data loss or recovery.

Should you return any components of the package of QNAP products such as NAS (Network Attached Storage) for refund or maintenance, make sure they are carefully packed for shipping. Any form of damages due to improper packaging will not be compensated.

All the features, functionality, and other product specifications are subject to change without prior notice or obligation. Information contained herein is subject to change without notice.

Further, the ® or ™ symbols are not used in the text.

### GNU Public License

Version 3, 29 June 2007

Everyone is permitted to copy and distribute verbatim copies of this license document, but changing it is not allowed.

#### Preamble

The GNU General Public License is a free, copy left license for software and other kinds of works.

The licenses for most software and other practical works are designed to take away your freedom to share and change the works. By contrast, the GNU General Public License is intended to guarantee your freedom to share and change all versions of a program--to make sure it remains free software for all its users. We, the

Free Software Foundation, use the GNU General Public License for most of our software; it applies also to any other work released this way by its authors. You can apply it to your programs, too.

When we speak of free software, we are referring to freedom, not price. Our General Public Licenses are designed to make sure that you have the freedom to distribute copies of free software (and charge for them if you wish), that you receive source code or can get it if you want it, that you can change the software or use pieces of it in new free programs, and that you know you can do these things.

To protect your rights, we need to prevent others from denying you these rights or asking you to surrender the rights. Therefore, you have certain responsibilities if you distribute copies of the software, or if you modify it: responsibilities to respect the freedom of others.

For example, if you distribute copies of such a program, whether gratis or for a fee, you must pass on to the recipients the same freedoms that you received. You must make sure that they, too, receive or can get the source code. And you must show them these terms so they know their rights.

Developers that use the GNU GPL protect your rights with two steps: (1) assert copyright on the software, and (2) offer you this License giving you legal permission to copy, distribute and/or modify it.

For the developers' and authors' protection, the GPL clearly explains that there is no warranty for this free software. For both users' and authors' sake, the GPL requires that modified versions be marked as changed, so that their problems will not be attributed erroneously to authors of previous versions.

Some devices are designed to deny users access to install or run modified versions of the software inside them, although the manufacturer can do so. This is fundamentally incompatible with the aim of protecting users' freedom to change the software. The systematic pattern of such abuse occurs in the area of products for individuals to use, which is precisely where it is most unacceptable. Therefore, we have designed this version of the GPL to prohibit the practice for those products. If such problems arise substantially in other domains, we stand ready to extend this provision to those domains in future versions of the GPL, as needed to protect the freedom of users.

Finally, every program is threatened constantly by software patents. States should not allow patents to restrict development and use of software on general-purpose computers, but in those that do, we wish to avoid the special danger that patents applied to a free program could make it effectively proprietary. To prevent this, the GPL assures that patents cannot be used to render the program non-free.

The precise terms and conditions for copying, distribution and modification follow.

## Terms and Conditions

### 1. Definitions.

“This License” refers to version 3 of the GNU General Public License.

“Copyright” also means copyright-like laws that apply to other kinds of works, such as semiconductor masks.

“The Program” refers to any copyrightable work licensed under this License. Each licensee is addressed as “you”. “Licensees” and “recipients” may be individuals or organizations.

To “modify” a work means to copy from or adapt all or part of the work in a fashion requiring copyright permission, other than the making of an exact copy. The resulting work is called a “modified version” of the earlier work or a work “based on” the earlier work.

A “covered work” means either the unmodified Program or a work based on the Program.

To “propagate” a work means to do anything with it that, without permission, would make you directly or secondarily liable for infringement under applicable copyright law, except executing it on a computer or modifying a private copy. Propagation includes copying, distribution (with or without modification), making available to the public, and in some countries other activities as well.

To “convey” a work means any kind of propagation that enables other parties to make or receive copies. Mere interaction with a user through a computer network, with no transfer of a copy, is not conveying.

An interactive user interface displays “Appropriate Legal Notices” to the extent that it includes a convenient and prominently visible feature that (1) displays an appropriate copyright notice, and (2)

tells the user that there is no warranty for the work (except to the extent that warranties are provided), that licensees may convey the work under this License, and how to view a copy of this License. If the interface presents a list of user commands or options, such as a menu, a prominent item in the list meets this criterion.

## 2. Source Code.

The “source code” for a work means the preferred form of the work for making modifications to it.

“Object code” means any non-source form of a work.

A “Standard Interface” means an interface that either is an official standard defined by a recognized standards body, or, in the case of interfaces specified for a particular programming language, one that is widely used among developers working in that language.

The “System Libraries” of an executable work include anything, other than the work as a whole, that (a) is included in the normal form of packaging a Major Component, but which is not part of that Major Component, and (b) serves only to enable use of the work with that Major Component, or to implement a Standard Interface for which an implementation is available to the public in source code form. A “Major Component”, in this context, means a major essential component (kernel, window system, and so on) of the specific operating system (if any) on which the executable work runs, or a compiler used to produce the work, or an object code interpreter used to run it.

The “Corresponding Source” for a work in object code form means all the source code needed to generate, install, and (for an executable work) run the object code and to modify the work, including scripts to control those activities. However, it does not include the work's System Libraries, or general-purpose tools or generally available free programs which are used unmodified in performing those activities but which are not part of the work. For example, Corresponding Source includes interface definition files associated with source files for the work, and the source code for shared libraries and dynamically linked subprograms that the work is specifically designed to require, such as by intimate data communication or control flow between those subprograms and other parts of the work.

The Corresponding Source need not include anything that users can regenerate automatically from other parts of the Corresponding Source.

The Corresponding Source for a work in source code form is that same work.

## 3. Basic Permissions.

All rights granted under this License are granted for the term of copyright on the Program, and are irrevocable provided the stated conditions are met. This License explicitly affirms your unlimited permission to run the unmodified Program. The output from running a covered work is covered by this License only if the output, given its content, constitutes a covered work. This License acknowledges your rights of fair use or other equivalent, as provided by copyright law.

You may make, run and propagate covered works that you do not convey, without conditions so long as your license otherwise remains in force. You may convey covered works to others for the sole purpose of having them make modifications exclusively for you, or provide you with facilities for running those works, provided that you comply with the terms of this License in conveying all material for which you do not control copyright. Those thus making or running the covered works for you must do so exclusively on your behalf, under your direction and control, on terms that prohibit them from making any copies of your copyrighted material outside their relationship with you.

Conveying under any other circumstances is permitted solely under the conditions stated below.

Sublicensing is not allowed; section 10 makes it unnecessary.

## 4. Protecting Users' Legal Rights From Anti-Circumvention Law.

No covered work shall be deemed part of an effective technological measure under any applicable law fulfilling obligations under article 11 of the WIPO copyright treaty adopted on 20 December 1996, or similar laws prohibiting or restricting circumvention of such measures.

When you convey a covered work, you waive any legal power to forbid circumvention of technological measures to the extent such circumvention is effected by exercising rights under this License with respect to the covered work, and you disclaim any intention to limit operation or modification of the work as a means of enforcing, against the work's users, your or third parties' legal rights to forbid circumvention of technological measures.

## 5. Conveying Verbatim Copies.



You may convey verbatim copies of the Program's source code as you receive it, in any medium, provided that you conspicuously and appropriately publish on each copy an appropriate copyright notice; keep intact all notices stating that this License and any non-permissive terms added in accord with section 7 apply to the code; keep intact all notices of the absence of any warranty; and give all recipients a copy of this License along with the Program.

You may charge any price or no price for each copy that you convey, and you may offer support or warranty protection for a fee.

#### 6. Conveying Modified Source Versions.

You may convey a work based on the Program, or the modifications to produce it from the Program, in the form of source code under the terms of section 4, provided that you also meet all of these conditions:

- a. The work must carry prominent notices stating that you modified it, and giving a relevant date.
- b. The work must carry prominent notices stating that it is released under this License and any conditions added under section 7. This requirement modifies the requirement in section 4 to "keep intact all notices".
- c. You must license the entire work, as a whole, under this License to anyone who comes into possession of a copy. This License will therefore apply, along with any applicable section 7 additional terms, to the whole of the work, and all its parts, regardless of how they are packaged. This License gives no permission to license the work in any other way, but it does not invalidate such permission if you have separately received it.
- d. If the work has interactive user interfaces, each must display Appropriate Legal Notices; however, if the Program has interactive interfaces that do not display Appropriate Legal Notices, your work need not make them do so.  
A compilation of a covered work with other separate and independent works, which are not by their nature extensions of the covered work, and which are not combined with it such as to form a larger program, in or on a volume of a storage or distribution medium, is called an "aggregate" if the compilation and its resulting copyright are not used to limit the access or legal rights of the compilation's users beyond what the individual works permit. Inclusion of a covered work in an aggregate does not cause this License to apply to the other parts of the aggregate.

#### 7. Conveying Non-Source Forms.

You may convey a covered work in object code form under the terms of sections 4 and 5, provided that you also convey the machine-readable Corresponding Source under the terms of this License, in one of these ways:

- a. Convey the object code in, or embodied in, a physical product (including a physical distribution medium), accompanied by the Corresponding Source fixed on a durable physical medium customarily used for software interchange.
- b. Convey the object code in, or embodied in, a physical product (including a physical distribution medium), accompanied by a written offer, valid for at least three years and valid for as long as you offer spare parts or customer support for that product model, to give anyone who possesses the object code either (1) a copy of the Corresponding Source for all the software in the product that is covered by this License, on a durable physical medium customarily used for software interchange, for a price no more than your reasonable cost of physically performing this conveying of source, or (2) access to copy the Corresponding Source from a network server at no charge.
- c. Convey individual copies of the object code with a copy of the written offer to provide the Corresponding Source. This alternative is allowed only occasionally and noncommercially, and only if you received the object code with such an offer, in accord with subsection 6b.
- d. Convey the object code by offering access from a designated place (gratis or for a charge), and offer equivalent access to the Corresponding Source in the same way through the same place at no further charge. You need not require recipients to copy the Corresponding Source along with

the object code. If the place to copy the object code is a network server, the Corresponding Source may be on a different server (operated by you or a third party) that supports equivalent copying facilities, provided you maintain clear directions next to the object code saying where to find the Corresponding Source. Regardless of what server hosts the Corresponding Source, you remain obligated to ensure that it is available for as long as needed to satisfy these requirements.

- e. Convey the object code using peer-to-peer transmission, provided you inform other peers where the object code and Corresponding Source of the work are being offered to the general public at no charge under subsection 6d.

A separable portion of the object code, whose source code is excluded from the Corresponding Source as a System Library, need not be included in conveying the object code work.

A "User Product" is either (1) a "consumer product", which means any tangible personal property which is normally used for personal, family, or household purposes, or (2) anything designed or sold for incorporation into a dwelling. In determining whether a product is a consumer product, doubtful cases shall be resolved in favor of coverage. For a particular product received by a particular user, "normally used" refers to a typical or common use of that class of product, regardless of the status of the particular user or of the way in which the particular user actually uses, or expects or is expected to use, the product. A product is a consumer product regardless of whether the product has substantial commercial, industrial or non-consumer uses, unless such uses represent the only significant mode of use of the product.

"Installation Information" for a User Product means any methods, procedures, authorization keys, or other information required to install and execute modified versions of a covered work in that User Product from a modified version of its Corresponding Source. The information must suffice to ensure that the continued functioning of the modified object code is in no case prevented or interfered with solely because modification has been made.

If you convey an object code work under this section in, or with, or specifically for use in, a User Product, and the conveying occurs as part of a transaction in which the right of possession and use of the User Product is transferred to the recipient in perpetuity or for a fixed term (regardless of how the transaction is characterized), the Corresponding Source conveyed under this section must be accompanied by the Installation Information. But this requirement does not apply if neither you nor any third party retains the ability to install modified object code on the User Product (for example, the work has been installed in ROM).

The requirement to provide Installation Information does not include a requirement to continue to provide support service, warranty, or updates for a work that has been modified or installed by the recipient, or for the User Product in which it has been modified or installed. Access to a network may be denied when the modification itself materially and adversely affects the operation of the network or violates the rules and protocols for communication across the network.

Corresponding Source conveyed, and Installation Information provided, in accord with this section must be in a format that is publicly documented (and with an implementation available to the public in source code form), and must require no special password or key for unpacking, reading or copying.

## 8. Additional Terms.

"Additional permissions" are terms that supplement the terms of this License by making exceptions from one or more of its conditions. Additional permissions that are applicable to the entire Program shall be treated as though they were included in this License, to the extent that they are valid under applicable law. If additional permissions apply only to part of the Program, that part may be used separately under those permissions, but the entire Program remains governed by this License without regard to the additional permissions.

When you convey a copy of a covered work, you may at your option remove any additional permissions from that copy, or from any part of it. (Additional permissions may be written to require their own removal in certain cases when you modify the work.) You may place additional permissions on material, added by you to a covered work, for which you have or can give appropriate copyright permission.

Notwithstanding any other provision of this License, for material you add to a covered work, you may (if authorized by the copyright holders of that material) supplement the terms of this License with terms:

- a. Disclaiming warranty or limiting liability differently from the terms of sections 15 and 16 of this License; or
  - b. Requiring preservation of specified reasonable legal notices or author attributions in that material or in the Appropriate Legal Notices displayed by works containing it; or
  - c. Prohibiting misrepresentation of the origin of that material, or requiring that modified versions of such material be marked in reasonable ways as different from the original version; or
  - d. Limiting the use for publicity purposes of names of licensors or authors of the material; or
  - e. Declining to grant rights under trademark law for use of some trade names, trademarks, or service marks; or
  - f. Requiring indemnification of licensors and authors of that material by anyone who conveys the material (or modified versions of it) with contractual assumptions of liability to the recipient, for any liability that these contractual assumptions directly impose on those licensors and authors.
- All other non-permissive additional terms are considered “further restrictions” within the meaning of section 10. If the Program as you received it, or any part of it, contains a notice stating that it is governed by this License along with a term that is a further restriction, you may remove that term. If a license document contains a further restriction but permits relicensing or conveying under this License, you may add to a covered work material governed by the terms of that license document, provided that the further restriction does not survive such relicensing or conveying.
- If you add terms to a covered work in accord with this section, you must place, in the relevant source files, a statement of the additional terms that apply to those files, or a notice indicating where to find the applicable terms.
- Additional terms, permissive or non-permissive, may be stated in the form of a separately written license, or stated as exceptions; the above requirements apply either way.

#### 9. Termination.

You may not propagate or modify a covered work except as expressly provided under this License. Any attempt otherwise to propagate or modify it is void, and will automatically terminate your rights under this License (including any patent licenses granted under the third paragraph of section 11).

However, if you cease all violation of this License, then your license from a particular copyright holder is reinstated (a) provisionally, unless and until the copyright holder explicitly and finally terminates your license, and (b) permanently, if the copyright holder fails to notify you of the violation by some reasonable means prior to 60 days after the cessation.

Moreover, your license from a particular copyright holder is reinstated permanently if the copyright holder notifies you of the violation by some reasonable means, this is the first time you have received notice of violation of this License (for any work) from that copyright holder, and you cure the violation prior to 30 days after your receipt of the notice.

Termination of your rights under this section does not terminate the licenses of parties who have received copies or rights from you under this License. If your rights have been terminated and not permanently reinstated, you do not qualify to receive new licenses for the same material under section 10.

#### 10. Acceptance Not Required for Having Copies.

You are not required to accept this License in order to receive or run a copy of the Program. Ancillary propagation of a covered work occurring solely as a consequence of using peer-to-peer transmission to receive a copy likewise does not require acceptance. However, nothing other than this License grants you permission to propagate or modify any covered work. These actions infringe copyright if you do not accept this License. Therefore, by modifying or propagating a covered work, you indicate your acceptance of this License to do so.

#### 11. Automatic Licensing of Downstream Recipients.

Each time you convey a covered work, the recipient automatically receives a license from the original licensors, to run, modify and propagate that work, subject to this License. You are not responsible for enforcing compliance by third parties with this License.

An “entity transaction” is a transaction transferring control of an organization, or substantially all assets of one, or subdividing an organization, or merging organizations. If propagation of a covered work results from an entity transaction, each party to that transaction who receives a copy of the work also receives whatever licenses to the work the party's predecessor in interest had or could give under the previous paragraph, plus a right to possession of the Corresponding Source of the work from the predecessor in interest, if the predecessor has it or can get it with reasonable efforts.

You may not impose any further restrictions on the exercise of the rights granted or affirmed under this License. For example, you may not impose a license fee, royalty, or other charge for exercise of rights granted under this License, and you may not initiate litigation (including a cross-claim or counterclaim in a lawsuit) alleging that any patent claim is infringed by making, using, selling, offering for sale, or importing the Program or any portion of it.

## 12. Patents.

A “contributor” is a copyright holder who authorizes use under this License of the Program or a work on which the Program is based. The work thus licensed is called the contributor's “contributor version”.

A contributor's “essential patent claims” are all patent claims owned or controlled by the contributor, whether already acquired or hereafter acquired, that would be infringed by some manner, permitted by this License, of making, using, or selling its contributor version, but do not include claims that would be infringed only as a consequence of further modification of the contributor version. For purposes of this definition, “control” includes the right to grant patent sublicenses in a manner consistent with the requirements of this License.

Each contributor grants you a non-exclusive, worldwide, royalty-free patent license under the contributor's essential patent claims, to make, use, sell, offer for sale, import and otherwise run, modify and propagate the contents of its contributor version.

In the following three paragraphs, a “patent license” is any express agreement or commitment, however denominated, not to enforce a patent (such as an express permission to practice a patent or covenant not to sue for patent infringement). To “grant” such a patent license to a party means to make such an agreement or commitment not to enforce a patent against the party.

If you convey a covered work, knowingly relying on a patent license, and the Corresponding Source of the work is not available for anyone to copy, free of charge and under the terms of this License, through a publicly available network server or other readily accessible means, then you must either (1) cause the Corresponding Source to be so available, or (2) arrange to deprive yourself of the benefit of the patent license for this particular work, or (3) arrange, in a manner consistent with the requirements of this License, to extend the patent license to downstream recipients. “Knowingly relying” means you have actual knowledge that, but for the patent license, your conveying the covered work in a country, or your recipient's use of the covered work in a country, would infringe one or more identifiable patents in that country that you have reason to believe are valid.

If, pursuant to or in connection with a single transaction or arrangement, you convey, or propagate by procuring conveyance of, a covered work, and grant a patent license to some of the parties receiving the covered work authorizing them to use, propagate, modify or convey a specific copy of the covered work, then the patent license you grant is automatically extended to all recipients of the covered work and works based on it.

A patent license is “discriminatory” if it does not include within the scope of its coverage, prohibits the exercise of, or is conditioned on the non-exercise of one or more of the rights that are specifically granted under this License. You may not convey a covered work if you are a party to an arrangement with a third party that is in the business of distributing software, under which you make payment to the third party based on the extent of your activity of conveying the work, and under which the third party grants, to any of the parties who would receive the covered work from you, a discriminatory patent license (a) in connection with copies of the covered work conveyed by you (or copies made from those copies), or (b) primarily for and in connection with specific products or compilations that contain the covered work, unless you entered into that arrangement, or that patent license was granted, prior to 28 March 2007.

Nothing in this License shall be construed as excluding or limiting any implied license or other defenses to infringement that may otherwise be available to you under applicable patent law.

## 13. No Surrender of Others' Freedom.

If conditions are imposed on you (whether by court order, agreement or otherwise) that contradict the conditions of this License, they do not excuse you from the conditions of this License. If you cannot convey a covered work so as to satisfy simultaneously your obligations under this License and any other pertinent obligations, then as a consequence you may not convey it at all. For example, if you agree to terms that obligate you to collect a royalty for further conveying from those to whom you convey the Program, the only way you could satisfy both those terms and this License would be to refrain entirely from conveying the Program.

**14. Use with the GNU Affero General Public License.**

Notwithstanding any other provision of this License, you have permission to link or combine any covered work with a work licensed under version 3 of the GNU Affero General Public License into a single combined work, and to convey the resulting work. The terms of this License will continue to apply to the part which is the covered work, but the special requirements of the GNU Affero General Public License, section 13, concerning interaction through a network will apply to the combination as such.

**15. Revised Versions of this License.**

The Free Software Foundation may publish revised and/or new versions of the GNU General Public License from time to time. Such new versions will be similar in spirit to the present version, but may differ in detail to address new problems or concerns.

Each version is given a distinguishing version number. If the Program specifies that a certain numbered version of the GNU General Public License “or any later version” applies to it, you have the option of following the terms and conditions either of that numbered version or of any later version published by the Free Software Foundation. If the Program does not specify a version number of the GNU General Public License, you may choose any version ever published by the Free Software Foundation.

If the Program specifies that a proxy can decide which future versions of the GNU General Public License can be used, that proxy's public statement of acceptance of a version permanently authorizes you to choose that version for the Program.

Later license versions may give you additional or different permissions. However, no additional obligations are imposed on any author or copyright holder as a result of your choosing to follow a later version.

**16. Disclaimer of Warranty.**

THERE IS NO WARRANTY FOR THE PROGRAM, TO THE EXTENT PERMITTED BY APPLICABLE LAW. EXCEPT WHEN OTHERWISE STATED IN WRITING THE COPYRIGHT HOLDERS AND/OR OTHER PARTIES PROVIDE THE PROGRAM “AS IS” WITHOUT WARRANTY OF ANY KIND, EITHER EXPRESSED OR IMPLIED, INCLUDING, BUT NOT LIMITED TO, THE IMPLIED WARRANTIES OF MERCHANTABILITY AND FITNESS FOR A PARTICULAR PURPOSE. THE ENTIRE RISK AS TO THE QUALITY AND PERFORMANCE OF THE PROGRAM IS WITH YOU. SHOULD THE PROGRAM PROVE DEFECTIVE, YOU ASSUME THE COST OF ALL NECESSARY SERVICING, REPAIR OR CORRECTION.

**17. Limitation of Liability.**

IN NO EVENT UNLESS REQUIRED BY APPLICABLE LAW OR AGREED TO IN WRITING WILL ANY COPYRIGHT HOLDER, OR ANY OTHER PARTY WHO MODIFIES AND/OR CONVEYS THE PROGRAM AS PERMITTED ABOVE, BE LIABLE TO YOU FOR DAMAGES, INCLUDING ANY GENERAL, SPECIAL, INCIDENTAL OR CONSEQUENTIAL DAMAGES ARISING OUT OF THE USE OR INABILITY TO USE THE PROGRAM (INCLUDING BUT NOT LIMITED TO LOSS OF DATA OR DATA BEING RENDERED INACCURATE OR LOSSES SUSTAINED BY YOU OR THIRD PARTIES OR A FAILURE OF THE PROGRAM TO OPERATE WITH ANY OTHER PROGRAMS), EVEN IF SUCH HOLDER OR OTHER PARTY HAS BEEN ADVISED OF THE POSSIBILITY OF SUCH DAMAGES.

**18. Interpretation of Sections 16 and 17.**

If the disclaimer of warranty and limitation of liability provided above cannot be given local legal effect according to their terms, reviewing courts shall apply local law that most closely approximates an absolute waiver of all civil liability in connection with the Program, unless a warranty or assumption of liability accompanies a copy of the Program in return for a fee.

## END OF TERMS AND CONDITIONS

**CE Notice**

This device complies with CE Compliance Class A.

**FCC Notice****FCC Class A Notice**

This device complies with Part 15 of the FCC Rules. Operation is subject to the following two conditions:

1. This device may not cause harmful interference.
2. This device must accept any interference received, including interference that may cause undesired operation.

**Note**

This equipment has been tested and found to comply with the limits for a Class A digital device, pursuant to Part 15 of the FCC Rules. These limits are designed to provide reasonable protection against harmful interference when the equipment is operated in a commercial environment. This equipment generates, uses, and can radiate radio frequency energy, and if not installed and used in accordance with the instruction manual, may cause harmful interference to radio communications. Operation of this equipment in a residential area is likely to cause harmful interference, in which case the user will be required to correct the interference at his own expense.

**Important**

Any modifications made to this device that are not approved by QNAP Systems, Inc. may void the authority granted to the user by the FCC to operate this equipment.

**VCCI Notice**

この装置は、クラス A 情報技術装置です。この装置を家庭環境で使用すると電波妨害を引き起こすことがあります。この場合には使用者が適切な対策を講ずるよう要求されることがあります。

VCCI-A

**BSMI Notice**

**D33B77**  
**RoHS**

警告使用者：這是甲類的資訊產品，在居住的環境中使用時，可能會造成射頻干擾，在這種情況下，使用者會被要求採取某些適當的對策。

**SJ/T 11364-2006**

本产品符合中国 RoHS 标准。以下表格标示此产品中某有毒物质的含量符合中国 RoHS 标准规定的限量要求。

本产品上会附有“环境友好使用期限”的标签，此期限是估算这些物质“不会有泄漏或突变”的年限。本产品可能包含有较短的环境友好使用期限的可替换元件，像是电池或灯管，这些元件将会单独标示出来。

部件名称	有毒有害物质或元素					
	铅 (Pb)	汞 (Hg)	镉 (Cd)	六价铬 (CR(VI))	多溴联苯 (PBB)	多溴二苯醚 (PBDE)
壳体	0	0	0	0	0	0
显示	0	0	0	0	0	0
印刷电路板	0	0	0	0	0	0
金属螺帽	0	0	0	0	0	0
电缆组装	0	0	0	0	0	0
风扇组装	0	0	0	0	0	0
电力供应组装	0	0	0	0	0	0
电池	0	0	0	0	0	0
O: 表示该有毒有害物质在该部件所有物质材料中的含量均在 SJ/T11363-2006 标准规定的限量要求以下。						
X: 表示该有毒有害物质至少在该部件的某一均质材料中的含量超出 SJ/T11363-2006 标准规定的限量要求。						